

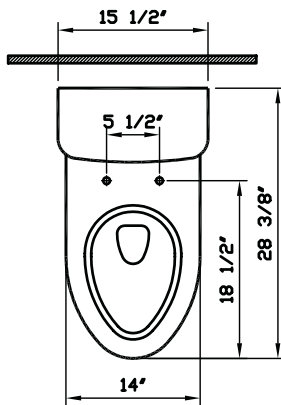
# Serenada

VitraA

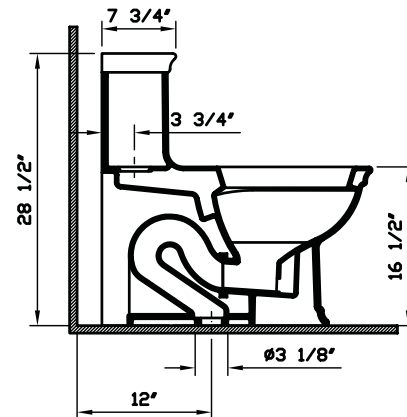


<b>Description</b>	: Serenada one-piece Elongated Toilet with V3 flushing technology concealed trapway, extended height, ADA Compliant
<b>Model Number</b>	: 4219-XXX-5265
<b>Compatible Item</b>	: 36-003-002: Elongated toilet seat 44-XXX-009: Elongated toilet seat (soft close hinges)
<b>Water Consumption</b>	: 1.6 gpf
<b>Water Surface</b>	: 6 3/4" x 7 3/4"
<b>Water Depth From Rim</b>	: 7 7/8"
<b>Rough-in</b>	: 12"
<b>Minimum Water Pressure</b>	: 20 psi
<b>Trap Diameter</b>	: Fully glazed 2" ball pass trapway with 2 1/8" diameter
<b>Trap Seal Depth</b>	: 2 1/4"
<b>Shipping Weight</b>	: 103 lbs.
<b>Installation Guide</b>	: Vitra Guide # 312859
<b>Included Components</b>	: Tank fittings, bolt caps (white 310359/ bone-biscuit 310306/ black 310360)
<b>Material</b>	: Vitreous China
<b>Colors</b>	: 003 White 017 Bone, 068 Biscuit (Basic Colors) 001 Edelweiss, 070 Black (Special Colors) "XXX" indicates the color
<b>Standards</b>	: Meets the American Disabilities Act Guidelines and ICC/ANSI A117.1 requirements when installed so top of seat is 17" from the finished floor. Recommended seat for ADA requirements: Vitra 36-003-002 or 44-XXX-009 ASME A 112.19.2, CSA B45, ADA ICC/ANSI A 117-1, LADWP/SPS (City of Los Angeles) / CMR 248 (State of Massachusetts)
<b>Warranty</b>	: 10 year limited warranty

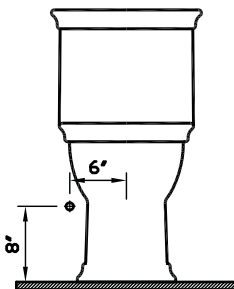
1



2



3



**Notes:**

- DIMENSIONS SHOWN FOR THE LOCATION OF THE SUPPLY IS SUGGESTED.
- INSTALLATION INSTRUCTIONS SUPPLIED WITH THE TOILET.

**IMPORTANT:** Dimensions of fixtures are nominal and may vary within the range of tolerances established by ASME Standard A 112.19.2 and CSA Standard B45., ICC/ANSI A.117-1 These measurements may be subject to change. No responsibility is assumed for the use of superseded or voided pages.

May 2007