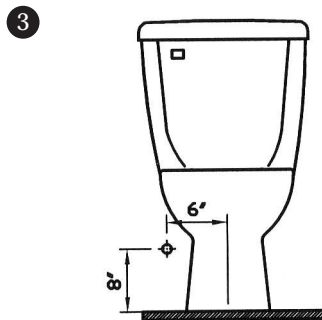
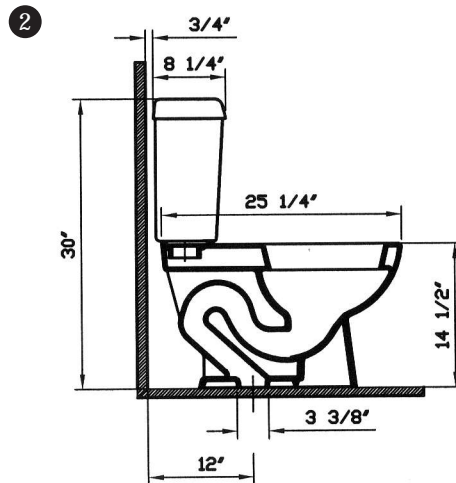
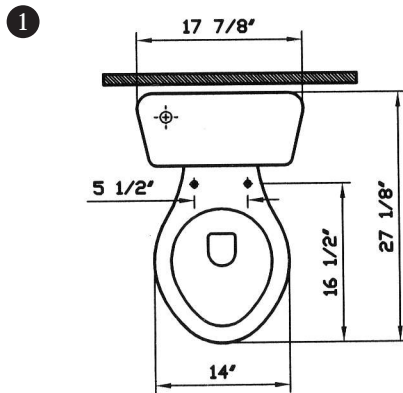


Atlantis



| | |
|------------------------|--|
| Description | : Atlantis two-piece Round Front Bowl |
| Model Number | : 5050-XXX-0101 |
| Compatible Items | : 6853-XXX-5245 Tank with white plastic trim lever 6853-XXX-5246 Tank with chrome plated trim lever 6853-XXX-5237 Tank with white plastic trim lever (fluidmaster ballcock) 6853-XXX-5238 Tank with chrome plated trim lever (fluidmaster ballcock) 6853-XXX-5239 Tank with white plastic trim lever (fluidmaster ballcock) (styrofoam lined) 6853-XXX-5240 Tank with chrome plated trim lever (fluidmaster ballcock) (styrofoam lined) 05-XXX-001 Toilet seat (with metal hinges) 05-XXX-002 Toilet seat (with plastic hinges) |
| Water Consumption | : 1.6 GPF |
| Water Surface | : 8 1/4" x 7 1/4" |
| Water Depth From Rim | : 6 7/8" |
| Rough-In | : 12" |
| Minimum Water Pressure | : 20 psi. |
| Trap Diameter | : Fully glazed 2" ball pass trapway with 2 1/8" diameter |
| Trap Seal Depth | : 2 3/8" |
| Shipping weight | : 5050 : 42 lbs. 6853 : 33 lbs. |
| Shipping Dimensions | : 5050 : 15 3/4" W x 26 3/8" L x 16 1/8" H 6853 : 8 7/8" W x 18 1/2" L x 17 1/4" H |
| Installation Guide | : Vitra Guide # 312851 |
| Included Components | : Tank fittings, bolt caps (white 310359/bone-biscuit 310306) |
| Material | : Vitreous china |
| Colors | : 003 White 017 Bone, 068 Biscuit (Basic Colors) "XXX" indicates the color |
| Standards | : ASME A 112.19.2, CSA B45, LADWP/SPS (City of Los Angeles), CMR 248 (State of Massachusetts) |
| Warranty | : 10 year limited warranty |



Notes:

- DIMENSIONS SHOWN FOR THE LOCATION OF THE SUPPLY IS SUGGESTED.
- INSTALLATION INSTRUCTIONS SUPPLIED WITH THE TOILET.

IMPORTANT: Dimensions of fixtures are nominal and may vary within the range of tolerances established by ASME Standard A 112.19.2, CSA Standard B45, LADWP/SPS (City of Los Angeles) and CMR Standard 248 (State of Massachusetts).

These measurements may be subject to change. No responsibility is assumed for the use of superseded or voided pages.

April, 2005