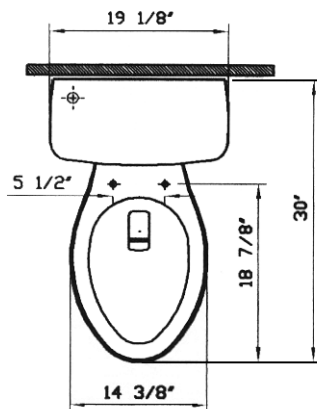


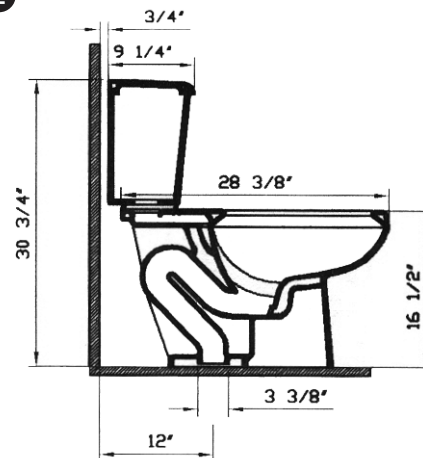


Description	: Pressure Assisted Elongated Bowl - Extended Height ADA compliant
Model Number	: 5065-XXX-0101
Compatible Items	: 5066-XXX-5280 Tank with chrome plated trim lever on left hand side (equipped with Sloan Flushmate™) 5066-XXX-5281 Tank with chrome plated trim lever on right hand side (equipped with Sloan Flushmate™) 36-003-002 Toilet seat (elongated) 44-XXX-009 Toilet seat (elongated) (soft close hinge)
Water Consumption	: 1.0 GPF
Water Surface	: 9 5/8" x 7 1/8"
Water Depth From Rim	: 6 7/8"
Rough-In	: 12"
Minimum Water Pressure	: 35 psi.
Trap Diameter	: Fully glazed 2" ball pass trapway with 2 1/8" diameter
Trap Seal Depth	: 2 3/8"
Shipping Weight	: 5065 : 53 lbs. 5066 : 37 lbs.
Shipping Dimensions	: 5065 : 15"W x 28 3/4"L x 18 1/8"H 5066 : 10 1/4"W x 20 1/8"L x 15"H
Installation Guide	: VitrA Guide # 312857
Included Components	: Tank fittings, bolt caps (white 310359/bone-biscuit 310306)
Material	: Vitreous china
Colors	: 003 White 017 Bone, 068 Biscuit (Basic Colors) "XXX" indicates the color
Standards	: Meets the American Disabilities Act Guidelines and ICC/ANSI A117-1 requirements when installed so top of seat is 17" from the finished floor. Recommended seat for ADA requirements: VitrA 36-003-002 / 44-XXX-009 ASME A 112.19.2, CSA B45, ADA ICC/ANSI A 117-1, LADWP/SPS (City of Los Angeles)
Warranty	: 10 year limited warranty

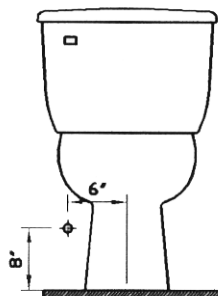
1



2



3



Notes:

- DIMENSIONS SHOWN FOR THE LOCATION OF THE SUPPLY IS SUGGESTED.
- INSTALLATION INSTRUCTIONS SUPPLIED WITH THE TOILET.

IMPORTANT: Dimensions of fixtures are nominal and may vary within the range of tolerances established by ASME Standard A 112.19.2, CSA Standard B45, ADA Standart ICC/ANSI A 117-1 and LADWP/SPS (City of Los Angeles).

These measurements may be subject to change. No responsibility is assumed for the use of superseded or voided pages.

August, 2008