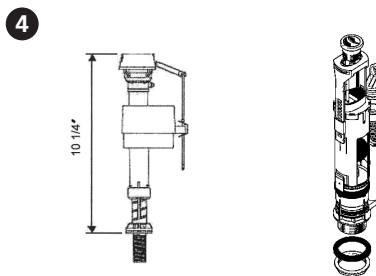
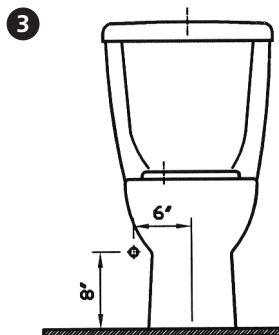
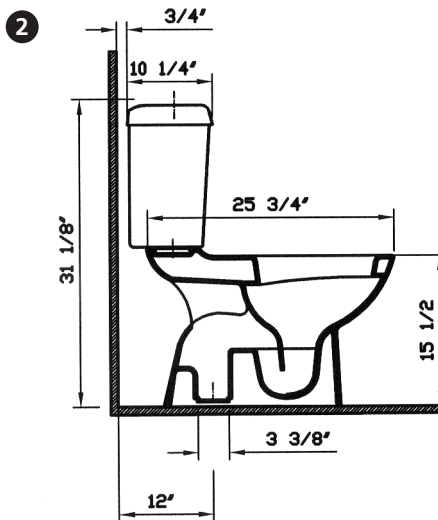
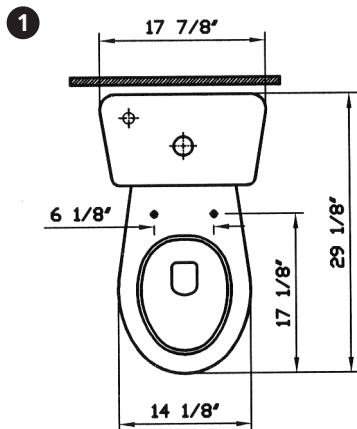




<b>Description</b>	: Dual Flush Washdown Two-piece Round Front Bowl
<b>Model Number</b>	: 5076-XXX-0075
<b>Compatible Items</b>	: 5055-XXX-5137 Tank with dual flush mechanism 05-XXX-001 toilet seat (with metal hinges) 05-XXX-002 toilet seat (with plastic hinges)
<b>Water Consumption</b>	: 1.6 GPF / 0.8 LPF
<b>Water Surface</b>	: 5 1/4" x 4 3/4"
<b>Water Depth From Rim</b>	: 9 5/8"
<b>Rough-In</b>	: 12"
<b>Minimum Water Pressure</b>	: 20 psi.
<b>Trap Diameter</b>	: Fully glazed 2" ball pass trapway with 2 1/8" diameter
<b>Trap Seal Depth</b>	: 2 3/8"
<b>Shipping Weight</b>	: 5076 : 47 lbs. 5055 : 41 lbs.
<b>Shipping Dimensions</b>	: 5076 : 15 W x 26 3/4" L x 16 1/4" H 5055 : 11 3/4" W x 18 7/8" L x 15 3/8" H
<b>Installation Guide</b>	: Vitra Guide # 312858
<b>Included Components</b>	: Tank fittings, bolt caps (white 310359/bone-biscuit 310306) Floor flange adapter
<b>Material</b>	: Vitreous china
<b>Colors</b>	: 003 White 017 Bone, 068 Biscuit (Basic Colors) "XXX" indicates the color
<b>Standards</b>	: ASME A 112.19.2, ASME A 112.19.14, CSA B45, LADWP/SPS (City of Los Angeles), CMR 248 (State of Massachusetts)
<b>Warranty</b>	: 10 year limited warranty



**Notes:**

- DIMENSIONS SHOWN FOR THE LOCATION OF THE SUPPLY IS SUGGESTED.
- INSTALLATION INSTRUCTIONS SUPPLIED WITH THE TOILET.

**IMPORTANT:** Dimensions of fixtures are nominal and may vary within the range of tolerances established by ASME Standard A 112.19.2, A112.19.14, CSA Standard B45. These measurements may be subject to change. No responsibility is assumed for the use of superseded or voided pages.

April, 2007