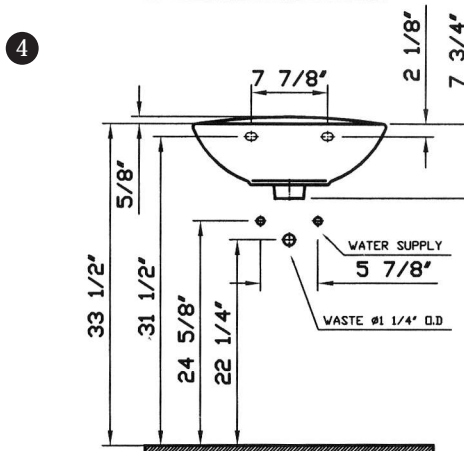
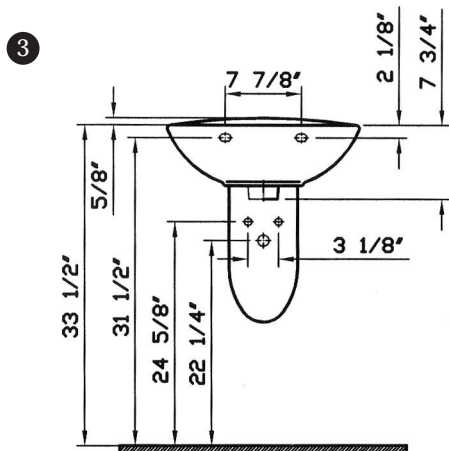
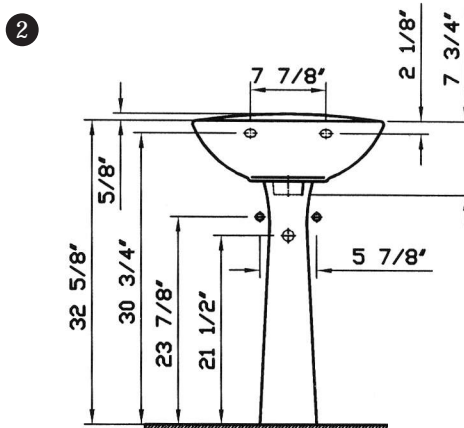
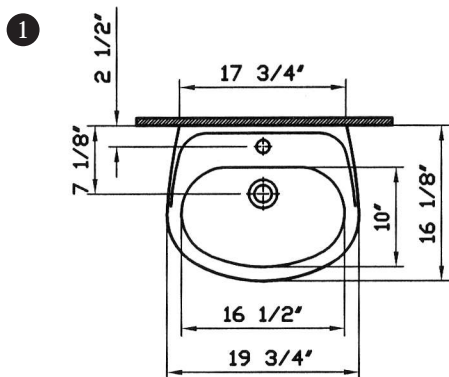


Commercial Line



Description	: Normus Pedestal Lavatory
Model Numbers	: 5079-XXX-0001 Single-hole faucet drilling 5079-XXX-0030 4" faucet drilling 5079-XXX-0033 8" faucet drilling
Compatible Items	: 6968-XXX-0156 Pedestal Base 6948-XXX-0162 Trap Cover
Size	: 19 3/4" x 16 1/8"
Height	: 32 5/8"
Depth	: 5 7/8"
Waste	: Ø1 1/4" O.D.
Shipping Weight	: 5079 : 29 lbs. 6968 : 21 lbs. 6948 : 16 lbs.
Shipping Dimensions	: 5079 : 8 1/8" W x 22 7/8" L x 19 1/4" H 6968 : 9 1/8" W x 29 1/8" L x 9 1/8" H 6948 : 9 7/8" W x 15 1/4" L x 14 3/8" H
Installation Guide	: Vitra Guide # 312850
Included Components	: Lavatory installation kit (312090) Trap cover installation kit (424097)
Material	: Vitreous china
Colors	: 003 White 017 Bone, 001 Edelweiss (Basic Colors) "XXX" indicates the color
Standards	: ASME A 112.19.2, CMR 248 (State of Massachusetts)
Warranty	: 10 year limited warranty



Notes:
 • DIMENSIONS SHOWN FOR THE LOCATION OF THE SUPPLY IS SUGGESTED.
 • INSTALLATION INSTRUCTIONS SUPPLIED WITH THE LAVATORY.
 • FITTINGS ARE NOT INCLUDED
 • PROVIDE SUITABLE REINFORCEMENT FOR ALL WALL SUPPORTS.

IMPORTANT: Dimensions of fixtures are nominal and may vary within the range of tolerances established by ASME Standard A 112.19.2 and CMR Standard 248 (State of Massachusetts). These measurements may be subject to change. No responsibility is assumed for the use of superseded or voided pages.

April, 2005