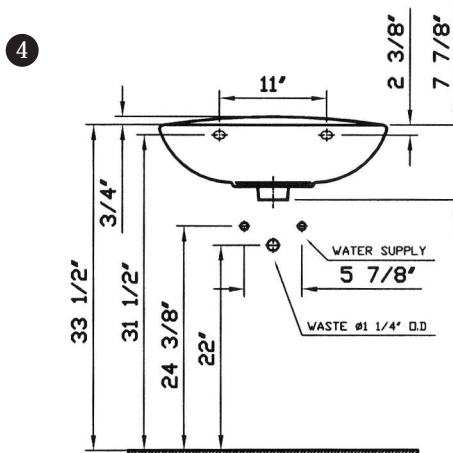
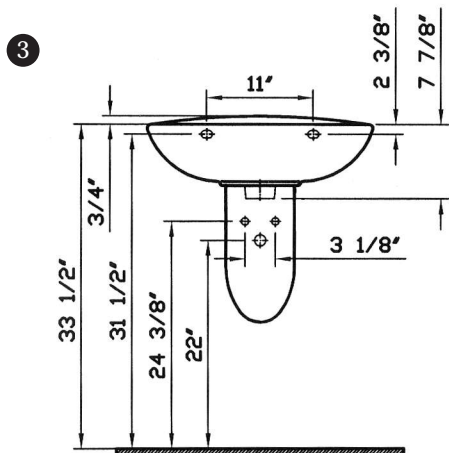
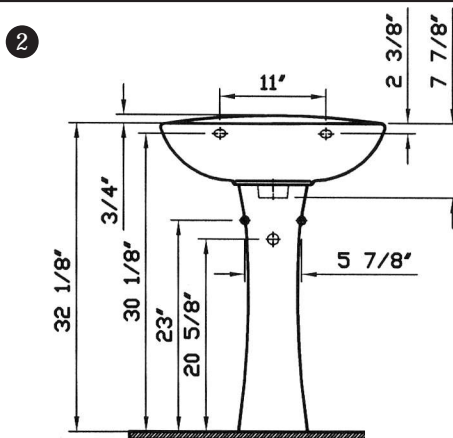
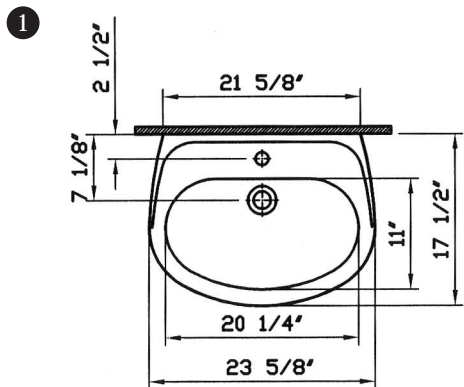


Commercial Line



Description	: Normus Pedestal Lavatory
Model Numbers	: 5088-XXX-0001 Single-hole faucet drilling 5088-XXX-0030 4" faucet drilling 5088-XXX-0033 8" faucet drilling
Compatible Items	: 6446-XXX-0156 Pedestal Base 6948-XXX-0162 Trap Cover
Size	: 23 5/8" x 17 1/2"
Height	: 32 1/8"
Depth	: 6 1/8"
Waste	: Ø1 1/4" O.D.
Shipping Weight	: 5088 : 38 lbs. 6446 : 22 lbs. 6948 : 16 lbs.
Shipping Dimensions	: 5088 : 9 1/8"W x 24 3/8"L x 21 5/8"H 6446 : 9 1/8"W x 29 1/8"L x 9 1/8"H 6948 : 9 7/8" W x 15 1/4" L x 14 3/8" H
Installation Guide	: Vitra Guide # 312850
Included Components	: Lavatory installation kit (312090) Trap cover installation kit (424097)
Material	: Vitreous china
Colors	: 003 White 017 Bone, 068 Biscuit (Basic Colors) "XXX" indicates the color
Standards	: ASME A 112.19.2, CSA B45
Warranty	: 10 year limited warranty



- Notes:
- DIMENSIONS SHOWN FOR THE LOCATION OF THE SUPPLY IS SUGGESTED.
 - INSTALLATION INSTRUCTIONS SUPPLIED WITH THE LAVATORY.
 - FITTINGS ARE NOT INCLUDED
 - PROVIDE SUITABLE REINFORCEMENT FOR ALL WALL SUPPORTS.

IMPORTANT: Dimensions of fixtures are nominal and may vary within the range of tolerances established by ASME Standard A 112.19.2 and CSA Standard B45. These measurements may be subject to change. No responsibility is assumed for the use of superseded or voided pages.

April, 2005