

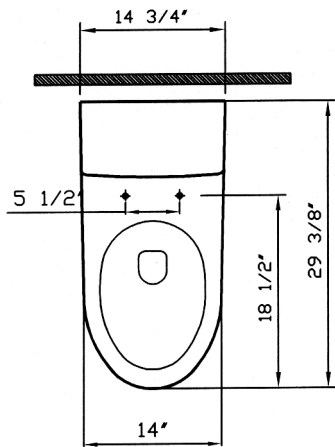
Corina

VitrA®

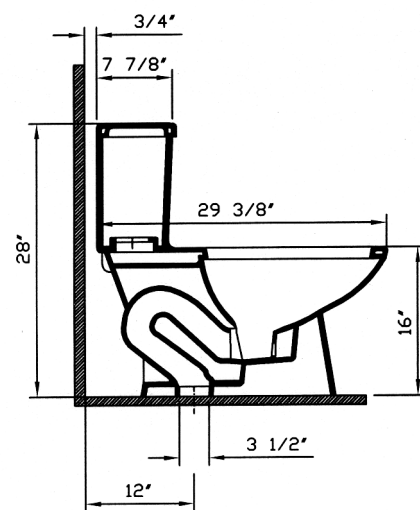


| | |
|-------------------------------|--|
| Description | : Corina One-piece with V3 flushing technology Elongated Bowl |
| Model Number | : 5178-XXX-5264 |
| Compatible item | : 36-003-002 Toilet Seat (elongated) |
| Water Consumption | : 1.6 GPF |
| Water Surface | : 7 3/4" x 9" |
| Water Depth From Rim | : 6 3/4" |
| Rough-In | : 12" |
| Minimum Water Pressure | : 20 psi. |
| Trap Diameter | : Fully glazed 2" ball pass trapway with 2 1/8" diameter |
| Trap Seal Depth | : 2 3/8" |
| Shipping Weight | : 96 lbs. |
| Shipping Dimensions | : 18 3/8"W x 30 3/4"L x 30 3/8"H |
| Installation Guide | : VitrA Guide # 312851 |
| Included Components | : Bolt caps (white 310359 / bone-biscuit 310306 / black 310360) |
| Material | : Vitreous china |
| Colors | : 003 White 017 Bone, 068 Biscuit (Basic Colors) 001 Edelweiss, 070 Black (Special Colors) "XXX" indicates the color |
| Standards | : Meets the American Disabilities Act Guidelines and ICC/ANSI A117-1 requirements when installed so top of seat is 17" from the finished floor. Recommended seat for ADA requirements: VitrA 36-003-002 ASME A 112.19.2, CSA B45, ADA ICC/ANSI A117-1, LADWP/SPS (City of Los Angeles) |
| Warranty | : 10 year limited warranty |

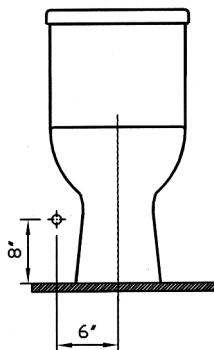
1



2



3



Notes:

- DIMENSIONS SHOWN FOR THE LOCATION OF THE SUPPLY IS SUGGESTED.
- INSTALLATION INSTRUCTIONS SUPPLIED WITH THE TOILET.

IMPORTANT: Dimensions of fixtures are nominal and may vary within the range of tolerances established by ASME Standard A 112.19.2 and CSA Standard B45. These measurements may be subject to change. No responsibility is assumed for the use of superseded or voided pages.

April, 2005