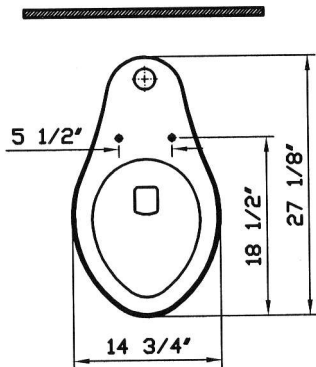


Commercial Line

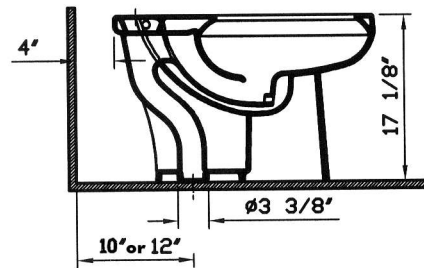


Description	: Flushometer Toilet Elongated Bowl, ADA compliant
Model Numbers	: 6522-XXX-0075 6522-XXX-0598 (with bed pan lugs)
Water Consumption	: 1.6 GPF
Water Surface	: 15 1/4" x 12 1/2"
Water Depth From Rim	: 4 3/8"
Rough-In	: 10" or 12"
Minimum Water Pressure	: 20 psi.
Trap Diameter	: Fully glazed 2" ball pass trapway with 2 1/8" diameter
Trap Seal Depth	: 2 3/8"
Shipping Weight	: 52 lbs.
Shipping Dimensions	: 15 1/8" W x 29 1/8" L x 18 5/8" H
Included Components	: Spud (313209) Bolt caps (white 310359 / bone-biscuit 310306)
Material	: Vitreous china
Colors	: 003 White 017 Bone, 068 Biscuit (Basic Colors) "XXX" indicates the color
Standards	: Meets the American Disabilities Act Guidelines and ICC/ANSI A117-1 requirements when installed so top of seat is 17" from the finished floor. Recommended seat for ADA requirements: VitrA 36-003-002 ASME A 112.19.2, CSA B45, CMR 248 (State of Massachusetts), ICC/ANSI A.117.1
Warranty	: 10 year limited warranty

1



2



Notes:

- DIMENSIONS SHOWN FOR THE LOCATION OF THE SUPPLY IS SUGGESTED.
- INSTALLATION INSTRUCTIONS SUPPLIED WITH THE TOILET.

- TANK FITTING, CHROME PLATED METAL TRIM LEVER AND 2 BOLT CAPS INCLUDED.

IMPORTANT: Dimensions of fixtures are nominal and may vary within the range of tolerances established by ASME Standard A 112.19.2, CSA Standard B45, CMR Standard 248 (State of Massachusetts) and ICC/ANSI Standard A 117.1.

These measurements may be subject to change. No responsibility is assumed for the use of superseded or voided pages.

April, 2005